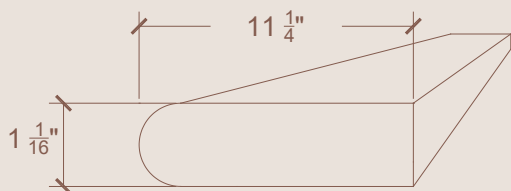




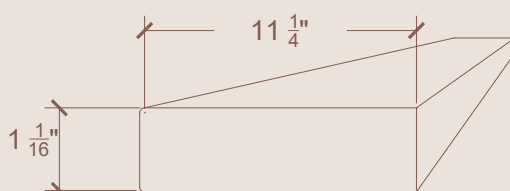
WOODCo

STANDARD PROFILE GUIDE: STAIR PARTS

TREADS



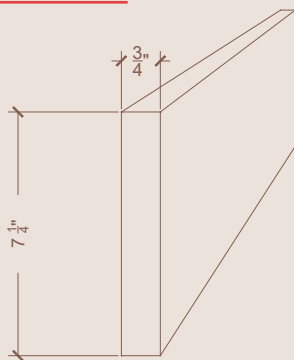
Bullnose



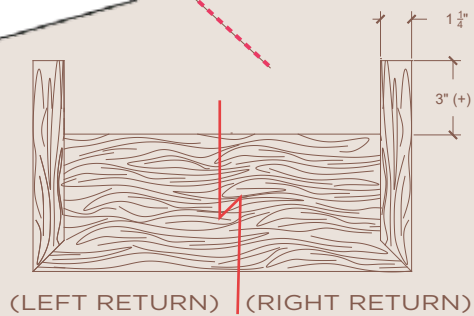
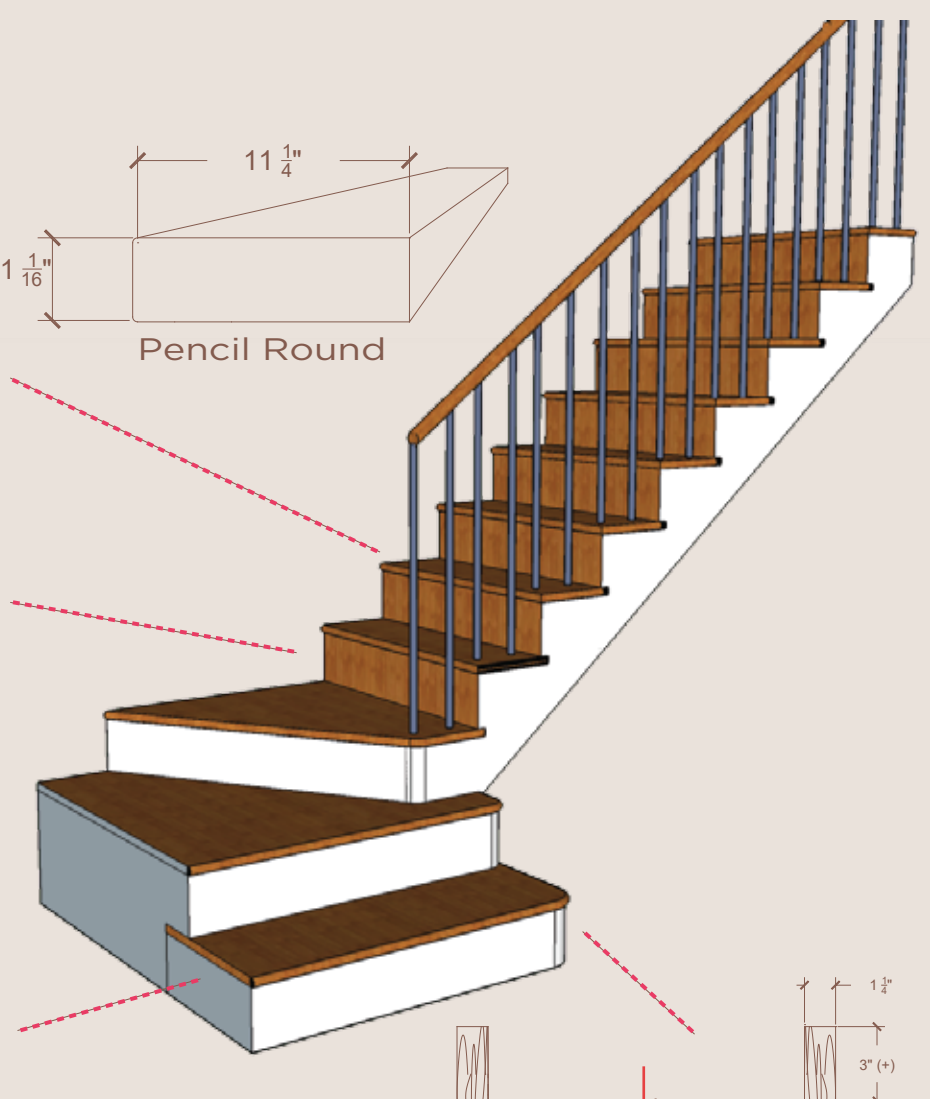
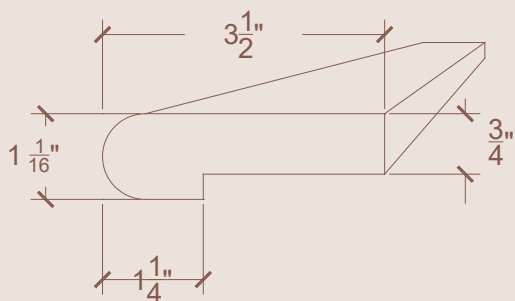
Pencil Round

OR

RISER



NOSING



(LEFT RETURN) (RIGHT RETURN)

STAIR PART	THICKNESS	WIDTH	BEVEL
Bullnose	3/4"	11 - 1/4"	0
Pencil Round	3/4"	11 - 1/4"	0
Riser	3/4"	7 - 1/4"	0
Nosing	1 - 1/16"	3 - 1/2"	0